

# stûv 30-compact

## STÛV 30-COMPACT THE IDEAL STOVE FOR ENERGY-EFFICIENT HOMES



Developed to meet the growing demands of energy-efficient or smaller homes, these compact stoves succeed magnificently in combining performance with design.



*Stûv30-compact - tall version*



*Stûv30-compact - low version*

### WHY ARE THEY BETTER SUITED TO ENERGY-EFFICIENT HOMES?

Most stoves currently available on the market are too powerful to install in energy-efficient, better insulated homes. As a result, these high-output stoves are not used optimally - operating them at a lower rate reduces their efficiency and makes combustion less clean.

Selecting a 10kW stove where a 5 kW model would be sufficient is a bad choice. The Stûv 30-compact, as its name suggests, has a smaller combustion chamber and lower output - the ideal stove for meeting the requirements of new buildings.

### OUTSTANDING PERFORMANCE.

If used optimally, these new stoves achieve efficiency of over 80%. In order to achieve these results, Stûv has introduced some innovations which make all the difference:

>> the smaller combustion chamber enables a temperature to be maintained which is conducive to clean combustion .

>> the cast-iron combustion chamber accumulates heat better. In addition, it is equipped with a double-combustion system.

## IT'S MAGIC!



### THE LEGACY OF THE STÛV 30: THREE MODES OF USAGE.

Just like the Stûv 30, Stûv 30-in and Stûv 30-up, the Stûv 30-compact also has three different modes of operation. This special feature, which is protected under patent, is made possible thanks to its three turning doors:



**In glass-door mode,** you can enjoy a wonderful view of the flames in complete safety with excellent efficiency. This ensures economical and environmentally friendly operation.

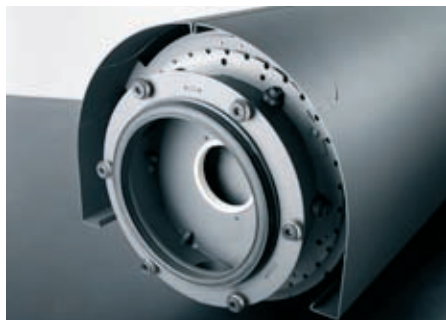


**In open fire mode,** you can hear the crackling of the fire, enjoy the aroma of an open fire and also have a barbecue!



**In slow-burner mode,** a solid door with increased airtightness allows slow burning throughout the night. The solid door hides the combustion chamber when the stove is not in use.

## THE BENEFITS



Outside air inlet at the bottom



Outside air inlet at the back

### Combustion air

As energy-efficient homes are more air-tight, Stuv has designed these new stoves to draw air for combustion from outside the room. This system has various benefits:

- no cold draught in the room,
- the stove does not rarefy ambient air.

### Clean-glass system

The air for post-combustion sweeps the glass, keeping it clear and clean.

### The tall configuration

This model includes a heat recuperation system located above the combustion chamber and also has increased efficiency.

### Barbecue kit...

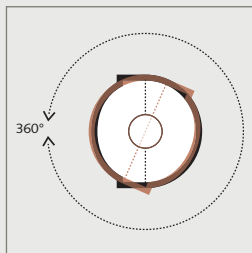
...allows you to enjoy barbecues, even in winter! Unlike traditional barbecues, fat does not drip onto the embers, so there is no blaze-up that burns the food.



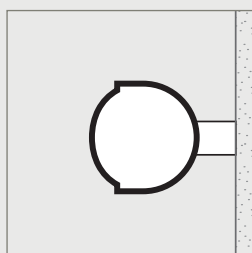
The barbecue kit comes in a variety of forms for the different models in the Stuv range.

### Directing the stove.

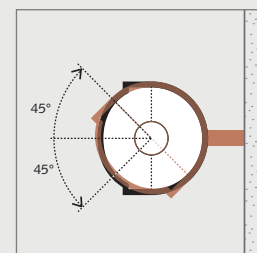
A turning plate enables you to choose the direction of the stove to distribute heat where you want. The system allows 360° rotation (therefore complete rotary motion). The installation engineer restricts the angle of rotation to 90°, 180° or 270° in order to prevent the stove from being directed towards the wall or a piece of furniture.



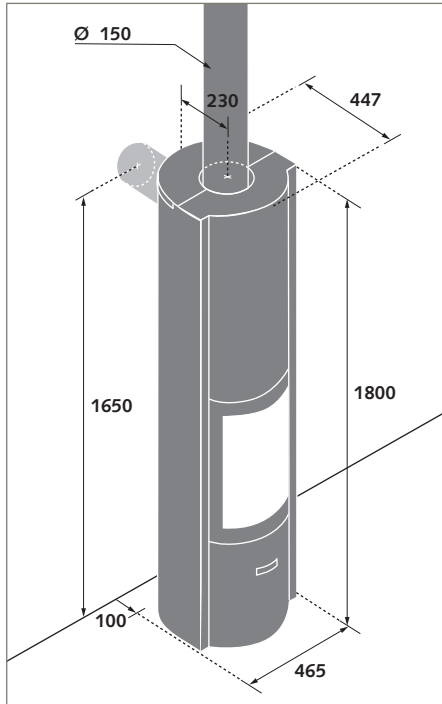
> This function obviously cannot be used if you choose a smoke flue at the back (Stuv 30-compact model, high version only).



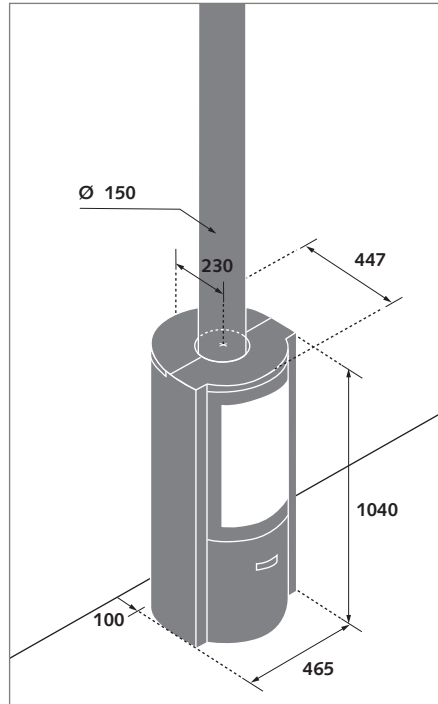
> If you connect the stove to an outside air duct at the back (see photo above), you can only move the stove by a maximum of 45° to the left or to the right.



# TECHNICAL FEATURES



*Stuv 30-compact tall version:  
Smoke outlet upwards or at the back (but without the option of directing the stove).*



*Stuv 30-compact low version:  
Smoke outlet upwards only.*

Technical features	Stuv 30-compact low version	Stuv 30-compact tall version
Optimal usage range	3 à 9 kW	3 à 9 kW
Smoke outlet	Ø 150 mm	Ø 150 mm
Efficiency (a)	> 80%	> 85%
CO emissions	< 0,09 %	< 0,09 %
Particle emissions (b)	< 25 mg/Nm <sup>3</sup>	< 25 mg/Nm <sup>3</sup>
Length of logs	25 cm (horizontal) 40 cm (vertical)	25 cm (horizontal) 40 cm (vertical)
Conforms to the standard	EN 13240 <b>CE</b> & DIN+ & A15 & BlmSchV	EN 13240 <b>CE</b> & DIN+ & A15 & BlmSchV
Patent	n°1130323	n°1130323
Height	104 cm	180 cm
Diameter of system	465 mm	465 mm

- (a) efficiency at rated power without fan  
(b) measurement method based on DIN +